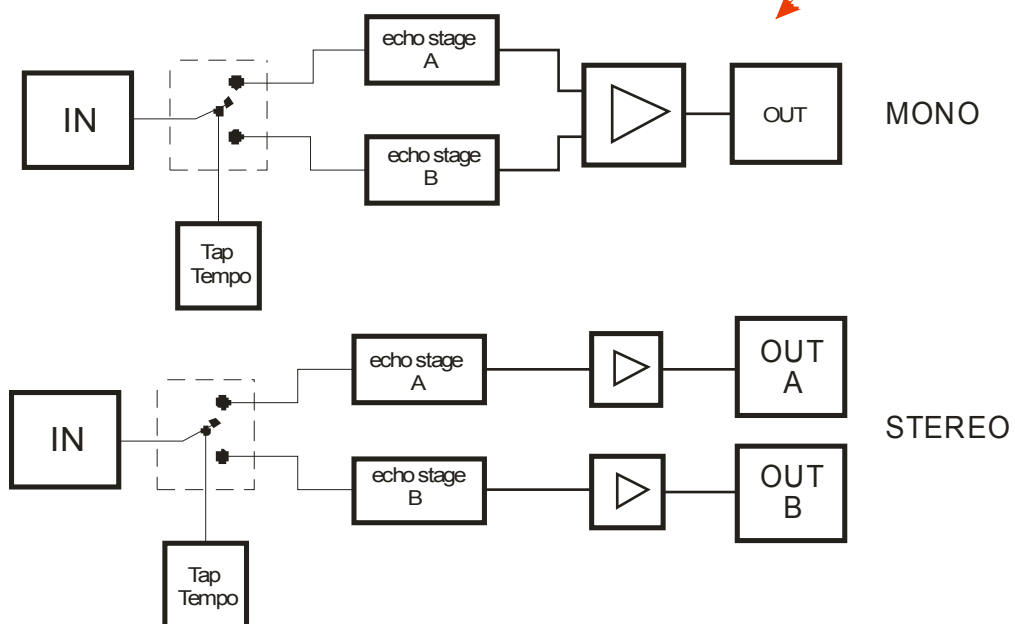
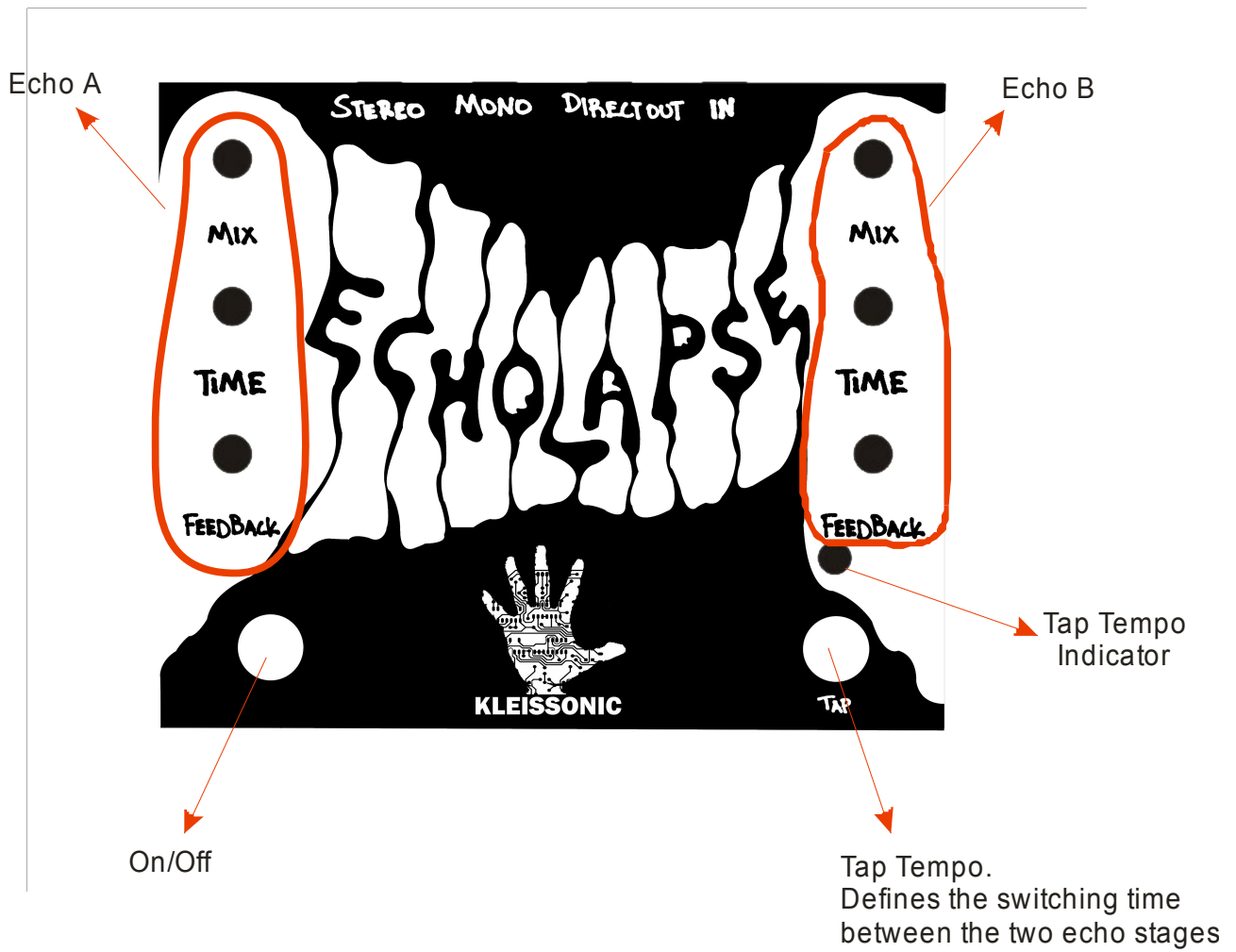


# KLEISSONIC - Echolapse



The Echolapse is an echo device that simulates an old tape echo machine.  
The time range is 42mS to 900mS.

“Dark” repeats is the result of the Echolapse because the high frequencies are diminished.

It is the same logic with the old tapes when they are old and they cannot be magnetized adequately at high frequencies.

Additionally, the Echolapse is calibrated to have disturbances on the top end of the repeats and it's the same logic of how the tape friction influences the sound.

It has two echo stages.

in MONO mode provides two different time delays, more headroom and really deep and dark repeats.

Depending on the Tap Tempo, the user can hear the separate time delays that he has adjusted. With fast Tempo the signal goes to both echo stages and the two time delays are mixed together.

In STEREO mode the signal follows separate paths. That means that you can have separate time delays which they pan between the two Amps depending on the Tap Tempo. With fast Tempo the signal goes to both echo stages and stops the panning and the user can hear the two amps in the same time but with separate time delays.

The minimum Tempo is 4 seconds and the maximum can be 150mS.

With fast Taps the signal goes to both echo stages

**Requirements: 9V DC, center negative power supply.**

Dimensions: 146x120x38mm

